
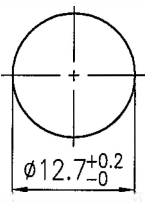
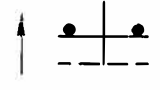
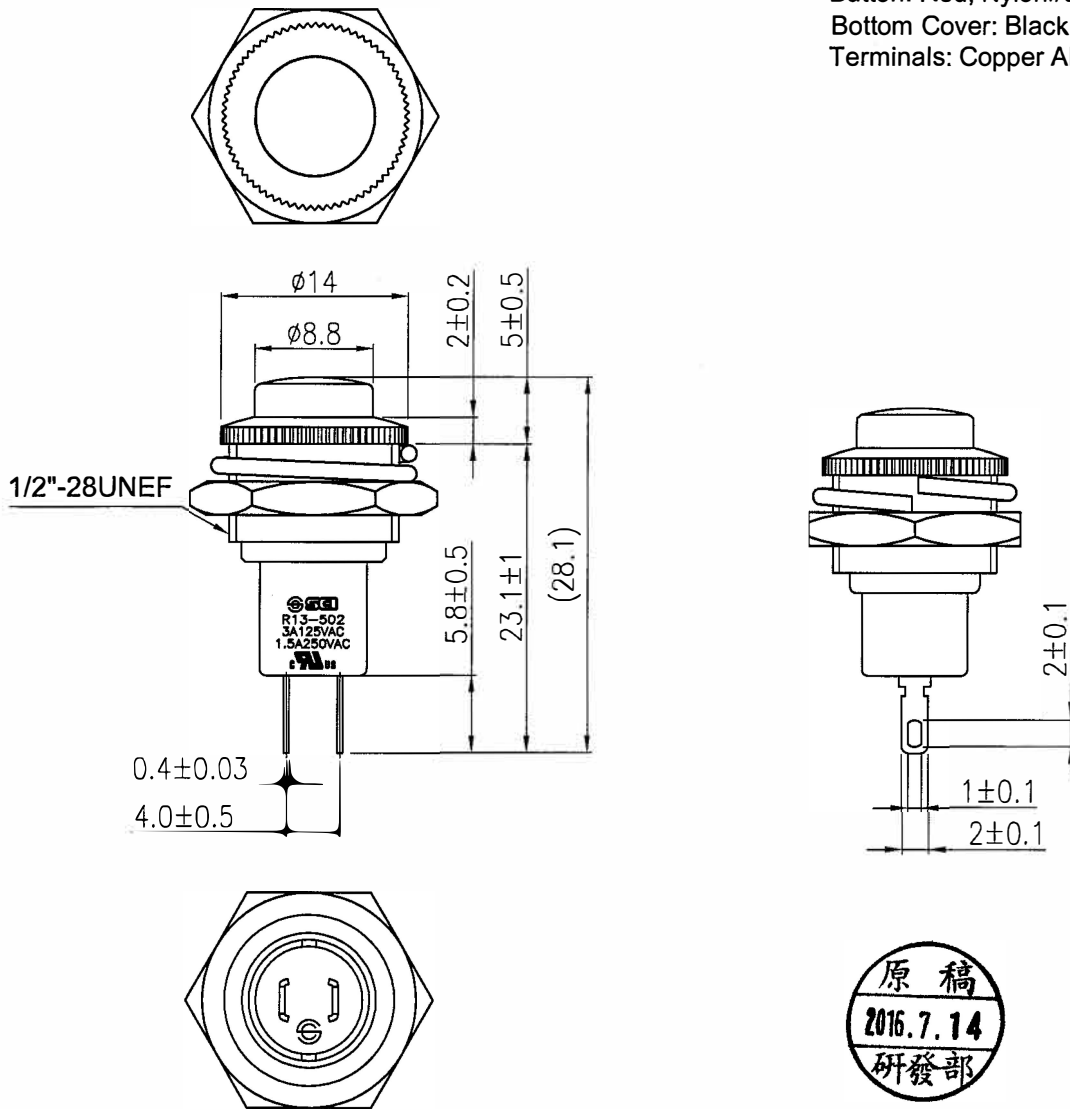

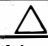


Rating	3A 125V AC, 1.5A 250V AC 	Mounting Hole	Circuit Diagram
Contact Resistance	50m ohm Max.		
Insulation Resistance	DC 500V 100M ohm Min.		
Dielectric Strength	AC 1000V 1 minute		
Switch Function	2P SPST ON-(OFF)		

Material:
Housing: Brass Alloy, Cr-Plating
Button: Red, Nylon#66
Bottom Cover: Black, PBT+30%GF
Terminals: Copper Alloy



1 - Tolerances Unless Otherwise Specified ± 0.3

									
									
Date	Name	Description						No.	
Drawn	Checked	Approved	BOM No	1830599	Model Name	PUSH SWITCH			
曹盈芳		王白山	Customer No.		Model No.	SPR13-502MB-05	Rev.	0	
04/25/16		4/25/16	Unit	mm	SWEETA PRODUCTS CORPORATION			0	